

GT900-2 & 2S, GT900-4 & 4S BLENDERS

Perfect for bars and kitchens, drinks, cocktails, smoothies, crushing ice, sauces, dressings, mayonnaise, soups, aged care, vitamizing

- Choice of 2 Litre or 4 litre jug capacity
- Variable Speed Dial Control
- Silent, Safe and Hygenic
- Long Lasting Robust Construction
- Simple and Quick to Operate
- Electronically Controlled Speed Regulator
- Made in Switzerland

GT900-4

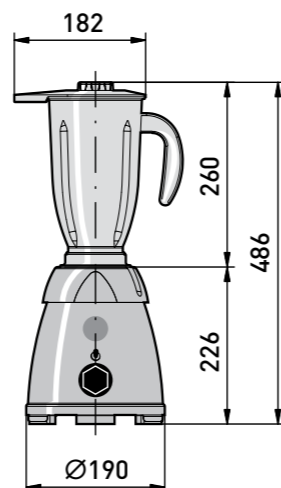
GT900-2S



13 Month Parts & 13 Month Labour warranty
5 Years motor warranty (part only)



Technical Data	GT900-2	GT900-2S	GT900-4	GT900-4S
Power supply	230V, 50Hz, 3.9amp			
Power	1800watt			
Speeds	Variable 1000-17,000rpm			
Jug capacity	2 Litre		4 Litre	
Jug construction	Zylex	Stainless Steel	Zylex	Stainless Steel
Dimensions	233w x 486h	225w x 486h	288w x 486h	282w x 486h
Net weight	5.65kg	6.35kg	5.65kg	6.8kg



 Swiss quality products which set a higher standard worldwide

ROTOR

FSM
Excellence since 1976



BLENDERS



FSM (FOOD SERVICE MACHINERY PTY. LTD.)

HEAD OFFICE:
21-23 Agosta Drive, Laverton North,
Vic. 3026 Australia
T: +61 3 9368 2300 F: +61 3 9369 3800
E: sales@fsm-pl.com.au W: www.fsm-pl.com.au

SYDNEY OFFICE:
Unit 15, 7-9 Progress Circuit,
Prestons, NSW 2170
T: +61 2 9608 8620 F: +61 2 9607 9370
E: sales@fsm-pl.com.au W: www.fsm-pl.com.au

QUEENSLAND OFFICE:
4/40 Rivergate Place,
Murarrie, QLD 4172
T: +61 7 3390 4185 F: +61 7 3393 9508
E: sales@fsm-pl.com.au W: www.fsm-pl.com.au

PERTH:
T: 0413 893 311
E: sales@fsm-pl.com.au
W: www.fsm-pl.com.au

FSM (FOOD SERVICE MACHINERY PTY. LTD.)

HEAD OFFICE:
21-23 Agosta Drive, Laverton North,
Vic. 3026 Australia
T: +61 3 9368 2300 F: +61 3 9369 3800
E: sales@fsm-pl.com.au W: www.fsm-pl.com.au

SYDNEY OFFICE:
Unit 15, 7-9 Progress Circuit,
Prestons, NSW 2170
T: +61 2 9608 8620 F: +61 2 9607 9370
E: sales@fsm-pl.com.au W: www.fsm-pl.com.au

QUEENSLAND OFFICE:
4/40 Rivergate Place,
Murarrie, QLD 4172
T: +61 7 3390 4185 F: +61 7 3393 9508
E: sales@fsm-pl.com.au W: www.fsm-pl.com.au

PERTH:
T: 0413 893 311
E: sales@fsm-pl.com.au
W: www.fsm-pl.com.au

RBB3 & RBB3S BLENDERS

Perfect for bars, smoothies, milkshakes, cocktails, crushing ice, etc.

- Heavy Duty Polished Stainless Steel Motor Housing
- 2 Litre High Impact Zylex or Stainless Steel Jug
- Silent, Safe and Hygenic
- Long Lasting Robust Construction
- Pulse Function
- Simple and Quick to Operate
- Electronically Controlled Speed Regulator
- Made in Switzerland



Technical Data	RBB3	RBB3S
Power supply	230V, 50Hz, 3.2amp	
Power	1400watt	
Speeds	3 Speeds + Pulse Function	
Jug capacity	2 Litre	
Jug construction	Zylex	Stainless Steel
Dimensions	190w x 480h	
Net weight	4kg	4.6kg

Excellent Swiss Engineering

- Designed and manufactured in Switzerland
- Heavy Duty Polished Stainless Steel Motor Housing
- Highest Quality Motor manufactured by Rotor in Switzerland
- High Power and Super Quiet
- Choice of 2 litre or 4 litre jugs in Stainless Steel or High Impact Zylex
- Removable jug bottom for easy cleaning and maintaining highest standards of hygiene
- High Power Cutting blade for intense and fast processing & ice cube crushing

Blade Options

High Power cutting head for intense and fast processing, also crushes ice cubes. Supplied as standard with all models.



Puree Blade (Optional). Suitable for gentle mixing and very fine pureeing.



Whipping Blade (Optional). Stirs without cutting. Suitable for milkshakes, creams etc.



Jug Options

Zylex
2 or 4 litre Jug

Light, transparent, stackable, and impact resistant.

2L Zylex Jug 1123.064
4L Zylex Jug 1123.074



Stainless Steel
2 or 4 litre Jug

Heavy Duty, perfect for high sanitary and hygiene requirements.

2L S/S Jug 1123.044
4L S/S Jug 1123.084



13 Month Parts & 13 Month Labour warranty
5 Years motor warranty (part only)

RMB2-T & RMB2-I BLENDERS

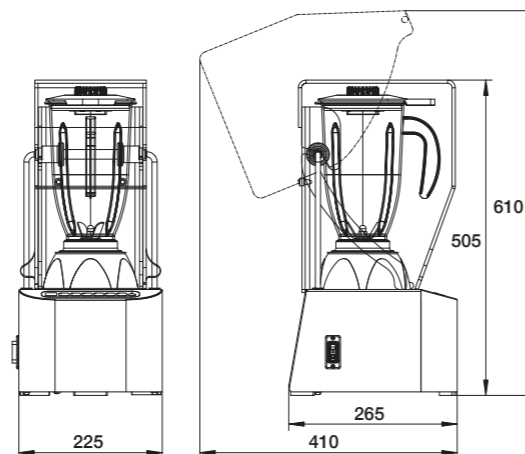
High Performance Benchtop Programmable Silent Blender

Perfect for bars, smoothies, milkshakes, cocktails, crushing ice, etc.

- Heavy Duty Polished Stainless Steel Motor Housing
- 12 Programmable Programs
- Silent, Safe and Hygenic
- Long Lasting Robust Construction
- In-counter design available
- Simple and Quick to Operate
- Electronically Controlled Speed Regulator
- Made in Switzerland

Technical Data	RMB2-T	RMB2-I
Power supply	230V, 50Hz, 3.9amp	
Power	1800watt	
Speeds	6 Speeds + Pulse Function	
Jug capacity	2 Litre	
Jug construction	Zylex	Stainless Steel
Dimensions (closed)	225w x 265d x 505h	225w x 265d x 505h
Dimensions (open)	225w x 410d x 610h	225w x 410d x 610h
Net weight	8.75kg	9.45kg

RMB2-T (as shown with 2L Zylex Jug), and also available as model RMB2-I with 2L S/S Jug



13 Month Parts & 13 Month Labour warranty
5 Years motor warranty (part only)



POLISHED STAINLESS STEEL BASE



RMB1-C

Bench mounted blender. Enquire for more details

ROTOR

FSM
Excellence since 1976